

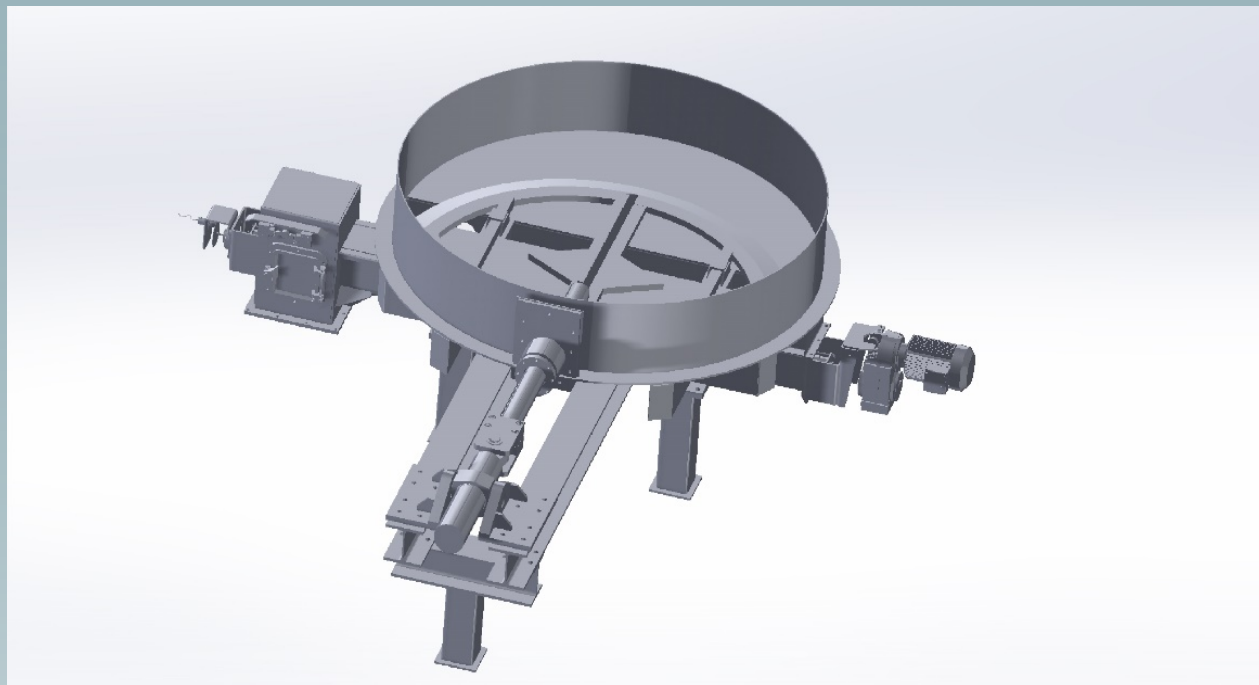


SAXWERK

PLANT REPORT SAX 1162

AB Gustaf Kähr, Nybro, Sweden

Filter bottoms for a pellet plant



Filter bottom Ø3000

Saxwerk delivered in 2018 two filter bottoms to AB Gustaf Kähr at their new pellets plant in Nybro, Sweden.

Saxwerk has delivered, installed and commissioning the filter bottoms with sliding frames discharge units.

Technical data:

Material:		Sawdust
Capacity:	5	m ³ /h
Diameter:	3 000	mm



SAXWERK