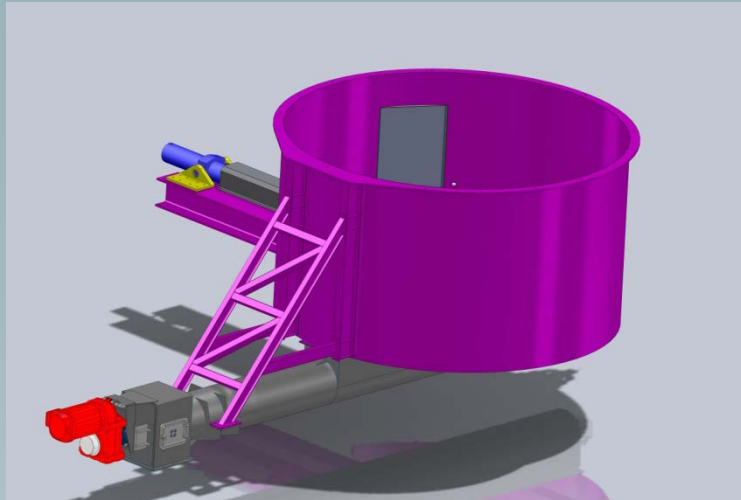




# SAXWERK

## PLANT REPORT SAX 446

### Alstom Power Sweden AB Mälarenergi, Sweden Ash discharge system 120m<sup>3</sup>/h



### Ash discharge system 120m<sup>3</sup>/h

Saxwerk delivered in 2013 a discharge system for end product and ash to Alstoms Power Sweden AB flue gas cleaning system in Västerås for Mälarenergi.

Saxwerk has delivered complete system for silo bottom, sliding frame system and the metering screw.

#### Technical data:

<b>Material:</b>	End product / Ash	
<b>Capacity:</b>	120	m <sup>3</sup> /h
<b>Diameter silo bottom:</b>	3500	mm
<b>Height silo bottom:</b>	1500	mm
<b>Silo volume:</b>	490	m <sup>3</sup>



**SAXWERK**